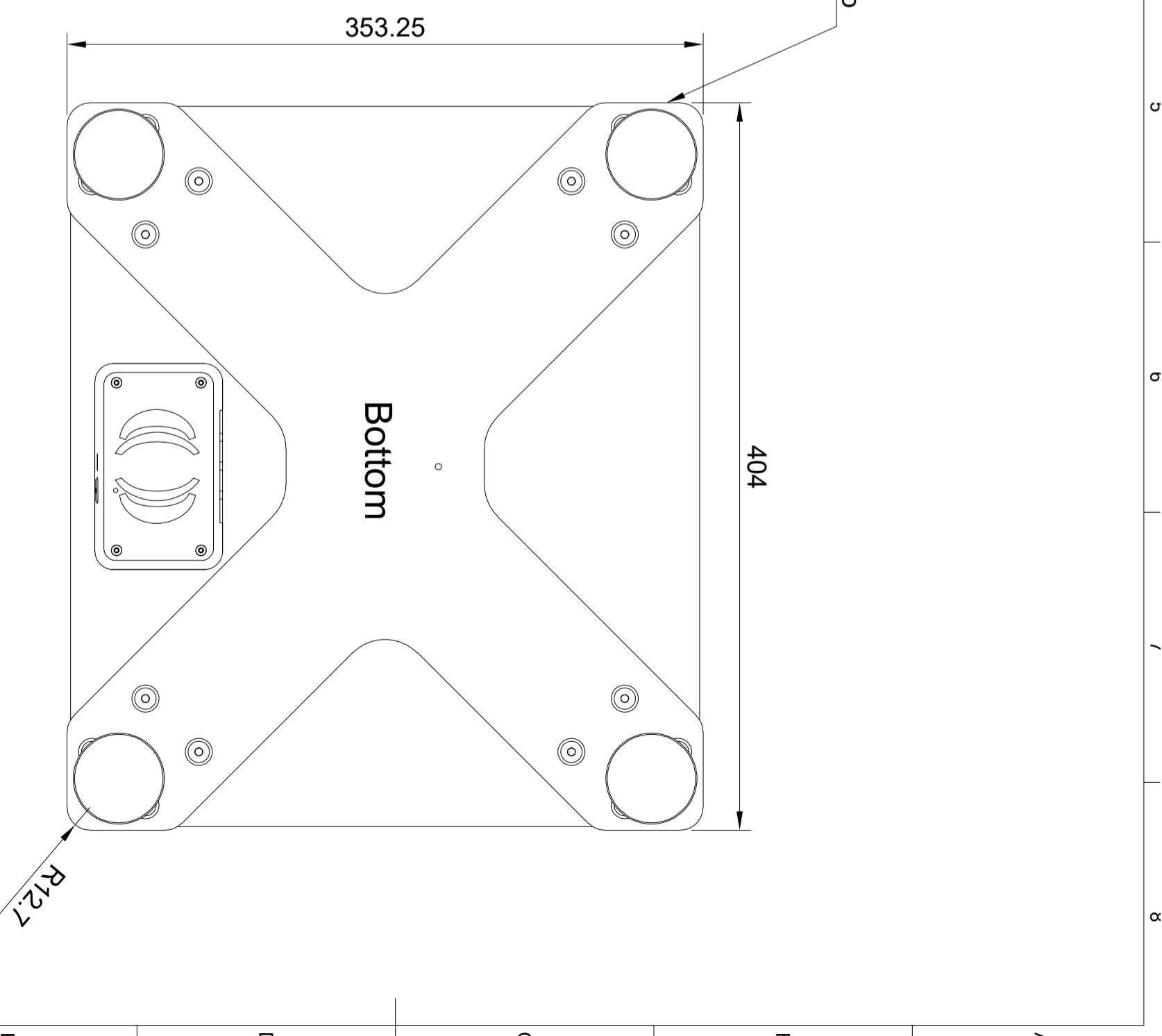


The bottom is slightly larger than the top



Dept. ENG	Technical reference	Created by Stian Eklund	3/9/2026	Approved by
All dimensions are in millimeters. Scale 1:3		Document type	Dual Force Plates Assembly	Document status
		Title	Dual Force Plates Assembly	DWG No.

Rev.	Date of issue	Sheet
0		1/1

1